

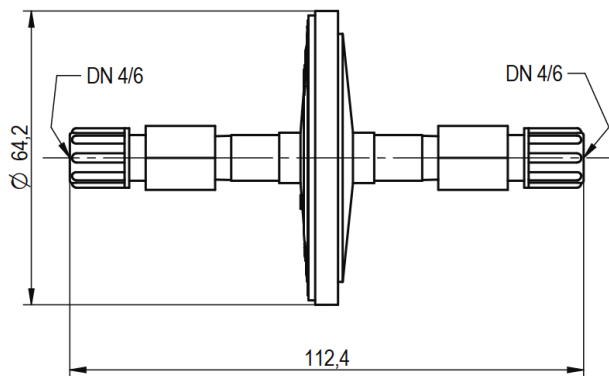
MADE IN GERMANY

LIQUID STOP

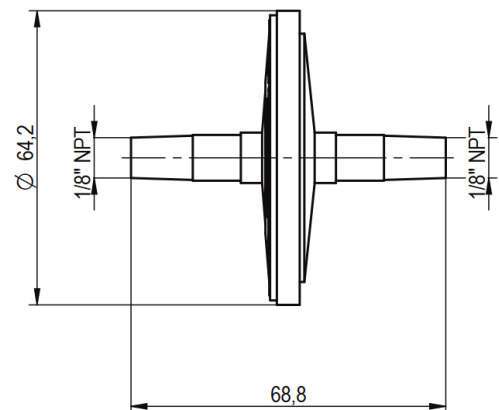
Item-No.: Z6-000029



- For extractive gas analysis
- For emission and process monitoring
- For analyzer protection
- Reliable prevention of liquid breakthrough to the analyzer
- For installation upstream gas analyzers



p/n 36.00300



p/n 36.00301

Application examples

Emission monitoring CEMS
Biogas
Process control
Fruit ripening
High voltage

Customizing options

High performance corrosion resistant sample gas pump
Easy to maintain robust fine dust filter
Corrosion resistant flowmeter with precise needle valve
Reliable condensate monitoring
Acid dosing pump

Accessory | Liquid Stop | Z6-000029

Operation

Flow	max. 400 NI/hr
Operating temperature	0° to 80 °C
Operating pressure	max. 3 bar
Pressure drop at 100 / 400 NI/hr airounting position	10 / 40 mbar

Construction

Dimensions over all (W x H x D)	70 x 120 mm (with hose fittings)
Connections inlet / outlet	hose fitting DN 4/6 mm or NPT 1/8" male (optional)
Gas wetted materials	PTFE, PP, fluor polymer
Dead volume	approx. 5 ml
Filter porosity / Filter surface	0.1 µm / 20 cm ²
Approvals / Signs	CE

* Results from the effective cooling capacity at 25°C ambient temperature and 3°C outlet dew point and can be influenced by further operational parameters

All rights reserved. Any logos and/or product names are trademarks of smartGAS. The reproduction, transfer, distribution or storage of information contained in this brochure in any form without the prior written consent of smartGAS is strictly prohibited. All specifications – technical included – are subject to change without notice. Depending on the application, the target gas and the measurement range the technical data may differ. No liability is accepted for any consequential losses, injury or damage resulting from the use of this document or from any omissions or errors herein. The data is given for guidance only. It does not constitute a specification or an offer for sale.

For more information, please visit www.smartgas.eu or contact us at sales@smartgas.eu

Please consult smartGAS sales for parts specified with other temperature and measurement ranges. At first initiation and depending on application and ambient conditions recalibration is recommended. Recurring cycles of recalibration are recommended.