



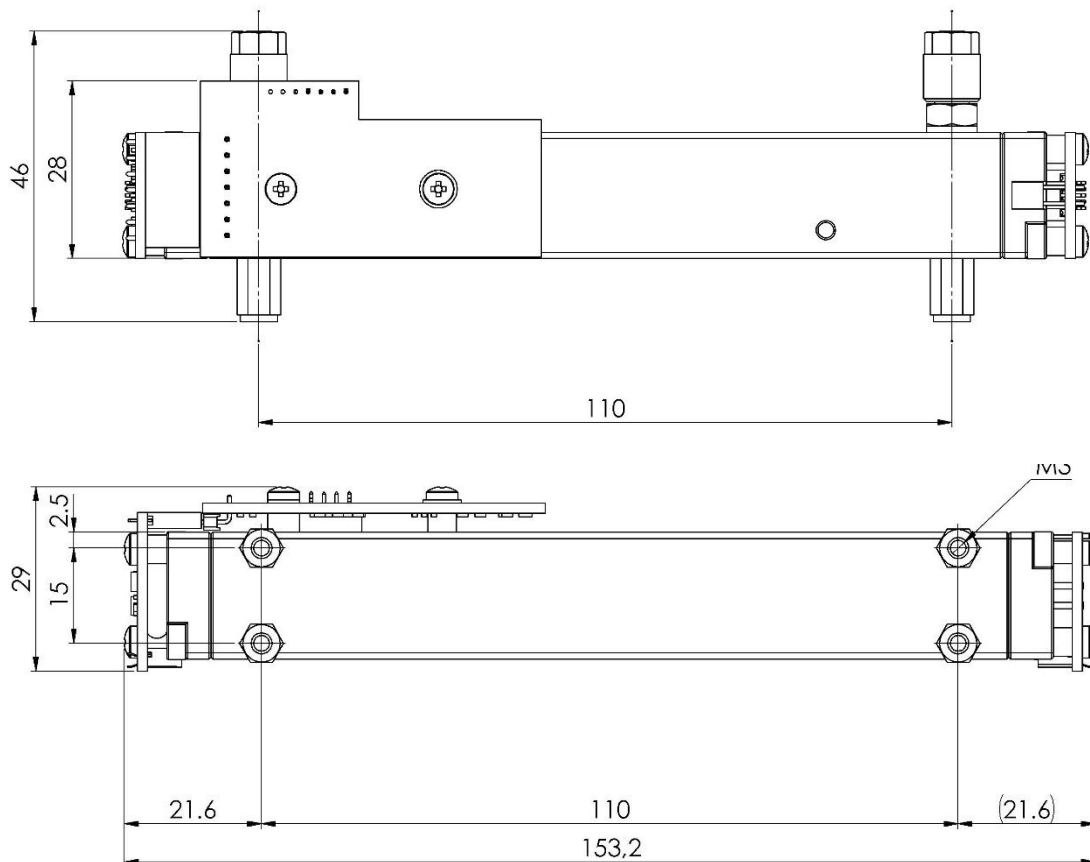
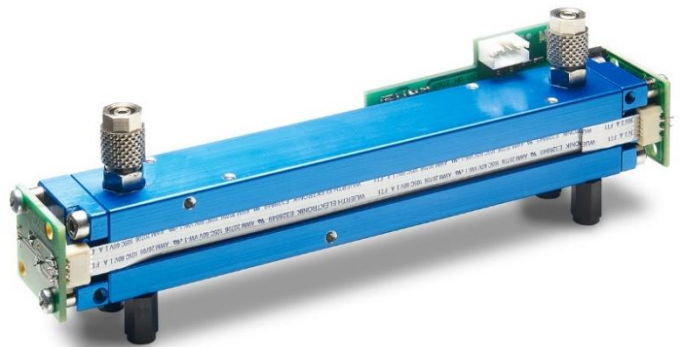
**FLOW<sup>EVO</sup>**

Infrared gas sensor

CO // Carbon monoxide // 5000 ppm

smartGAS item number: F3-222505-05000

- Pre calibrated
- Compact design
- 3/5 mm gas line connectors
- 3.3 - 6 V DC supply voltage
- Modbus ASCII or RTU
- Status indication by LED
- Low drift



**APPLICATION EXAMPLES**

EMISSION MONITORING // ENVIRONMENTAL MONITORING // PROCESS CONTROL // GAS ANALYSING // BIO GAS

**F3-222505-05000**
**CO // Carbon monoxide // 5000 ppm**
**General features**

Measurement principle:	Non Dispersive Infra-Red (NDIR), dual wavelength	
Measurement range:	0 ... 5000 ppm Full Scale (FS)	
Gas supply:	by flow (nearly atmospheric pressure)	
Flow rate:	0.1 ... 1.0 l / min	
Mounting dimensions:	156 mm x 30 mm x 50 mm (L x W x H)	
Warm-up time:	< 2 minutes (start up time)	
	< 30 minutes (full specification)	

**Measuring response\***

Digital resolution:	1 ppm	
Response time @ 0.7 l / min**:	<i>Standard:</i>	<i>Fast:</i>
t <sub>90</sub> (10 to 90 % FS):	≤ 11.6 s	≤ 0.9 s
t <sub>on</sub> (0 to 90 % FS):	≤ 15.9 s	≤ 1.6 s
Detection limit (3 σ):	≤ 40 ppm	≤ 95 ppm
Repeatability:	≤ ± 50 ppm	
Linearity error (straight line deviation):	≤ ± 50 ppm	
Long term stability (zero):	≤ ± 110 ppm over 1000 h period	
Long term stability (span):	≤ ± 230 ppm over 1000 h period	

**Influence of T, P, flow rate, other\***

Temp. dependence (zero):	≤ ± 6 ppm per °C
Temp. dependence (span):	≤ ± 10 ppm per °C
Pressure dependence:	+ 0.134 % of actual reading / hPa
Flow rate dependence:	≤ ± 6 ppm per 0.1 l / min
Cross sensitivity (zero) other gases:	≤ ± 950 ppm @ 10 Vol.-% CO <sub>2</sub> in dry air
Gas dew point requirement:	< + 5 °C

**Electrical inputs and outputs**

Supply voltage:	3.3 V ... 6.0 VDC
Supply current (peak):	< 400 mA @ 3.3 V, < 240 mA @ 5.0 V
Inrush current:	< 600 mA
Average power consumption:	< 800 mW
Digital output signal:	Modbus ASCII / RTU via UART, autobaud, autoframe
Calibration:	zero and span by SW

**Climatic conditions**

Operating temperature:	0 ... + 50 °C
Storage temperature:	-20 ... + 60 °C
Air pressure:	800 ... 1150 hPa
Ambient humidity:	0 ... 95 % relative humidity (not condensing)

\* Typical values related to 1013 hPa, T<sub>a</sub> = 22 °C, flow = 0.7 l / min for dry (not condensing) and clean sample gas. Stated values exclude calibration gas tolerance.

\*\* Adjustable only via smartGAS Calibration-Tool SW.

All rights reserved. Any logos and/or product names are trademarks of smartGAS. The reproduction, transfer, distribution or storage of information contained in this brochure in any form without the prior written consent of smartGAS is strictly prohibited. All specifications – technical included – are subject to change without notice. Depending on the application, the target gas and the measurement range the technical data may differ. No liability is accepted for any consequential losses, injury or damage resulting from the use of this document or from any omissions or errors herein. The data is given for guidance only. It does not constitute a specification or an offer for sale.

For more information, please visit [www.smartgas.eu](http://www.smartgas.eu) or contact us at [sales@smartgas.eu](mailto:sales@smartgas.eu)

Please consult smartGAS sales for parts specified with other temperature and measurement ranges. At first initiation and depending on application and ambient conditions recalibration is recommended. Recurring cycles of recalibration are recommended.