



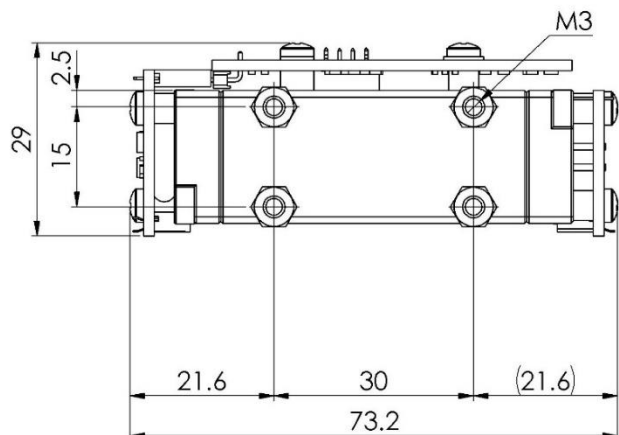
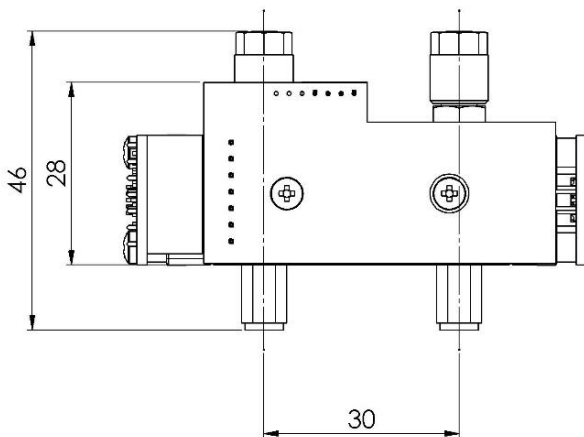
FLOW^{EVO}

Infrared gas sensor

CO // Carbon monoxide // 10 Vol.-%

smartGAS item number: F3-222107-05000

- Pre calibrated
- Compact design
- 3/5 mm gas line connectors
- 3.3 - 6 V DC supply voltage
- Modbus ASCII or RTU
- Status indication by LED
- Low drift



APPLICATION EXAMPLES

EMISSION MONITORING // ENVIRONMENTAL MONITORING // PROCESS CONTROL // GAS ANALYSING // BIO GAS

| | | |
|---|--|---------------|
| F3-222107-05000 | CO // Carbon monoxide // 10 Vol.-% | |
| General features | | |
| Measurement principle: | Non Dispersive Infra-Red (NDIR), dual wavelength | |
| Measurement range: | 0 ... 10 Vol.-% Full Scale (FS) | |
| Gas supply: | by flow (nearly atmospheric pressure) | |
| Flow rate: | 0.1 ... 1.0 l / min | |
| Mounting dimensions: | 76 mm x 30 mm x 50 mm (L x W x H) | |
| Warm-up time: | < 2 minutes (start up time) < 30 minutes (full specification) | |
| Measuring response* | | |
| Digital resolution: | 0.001 Vol.-% | |
| Response time @ 0.7 l / min**: | <i>Standard:</i> | <i>Fast:</i> |
| t ₉₀ (10 to 90 % FS): | ≤ 9.9 s | ≤ 0.7 s |
| t _{on} (0 to 90 % FS): | ≤ 16.5 s | ≤ 1.8 s |
| Detection limit (3 σ): | ≤ 0.05 Vol.-% | ≤ 0.10 Vol.-% |
| Repeatability: | ≤ ± 0.05 Vol.-% | |
| Linearity error (straight line deviation): | ≤ ± 0.1 Vol.-% | |
| Long term stability (zero): | ≤ ± 0.3 Vol.-% over 1000 h period | |
| Long term stability (span): | ≤ ± 1.5 Vol.-% over 1000 h period | |
| Influence of T, P, flow rate, other* | | |
| Temp. dependence (zero): | ≤ ± 0.02 Vol.-% per °C | |
| Temp. dependence (span): | ≤ ± 0.04 Vol.-% per °C | |
| Pressure dependence: | + 0.134 % of actual reading / hPa | |
| Flow rate dependence: | ≤ ± 0.02 Vol.-% per 0.1 l / min | |
| Cross sensitivity (zero) other gases: | consult manufacturer | |
| Electrical inputs and outputs | | |
| Supply voltage: | 3.3 V ... 6.0 VDC | |
| Supply current (peak): | < 400 mA @ 3.3 V, < 240 mA @ 5.0 V | |
| Inrush current: | < 600 mA | |
| Average power consumption: | < 800 mW | |
| Digital output signal: | Modbus ASCII / RTU via UART, autobaud, autoframe | |
| Calibration: | zero and span by SW | |
| Climatic conditions | | |
| Operating temperature: | 0 ... + 50 °C | |
| Storage temperature: | -20 ... + 60 °C | |
| Air pressure: | 800 ... 1150 hPa | |
| Ambient humidity: | 0 ... 95 % relative humidity (not condensing) | |
| * Typical values related to 1013 hPa, Ta = 22 °C, flow = 0.7 l / min for dry (not condensing) and clean sample gas. Stated values exclude calibration gas tolerance. | | |
| ** Adjustable only via smartGAS Calibration-Tool SW. | | |

All rights reserved. Any logos and/or product names are trademarks of smartGAS. The reproduction, transfer, distribution or storage of information contained in this brochure in any form without the prior written consent of smartGAS is strictly prohibited. All specifications – technical included – are subject to change without notice. Depending on the application, the target gas and the measurement range the technical data may differ. No liability is accepted for any consequential losses, injury or damage resulting from the use of this document or from any omissions or errors herein. The data is given for guidance only. It does not constitute a specification or an offer for sale.

For more information, please visit www.smartgas.eu or contact us at sales@smartgas.eu

Please consult smartGAS sales for parts specified with other temperature and measurement ranges. At first initiation and depending on application and ambient conditions recalibration is recommended. Recurring cycles of recalibration are recommended.